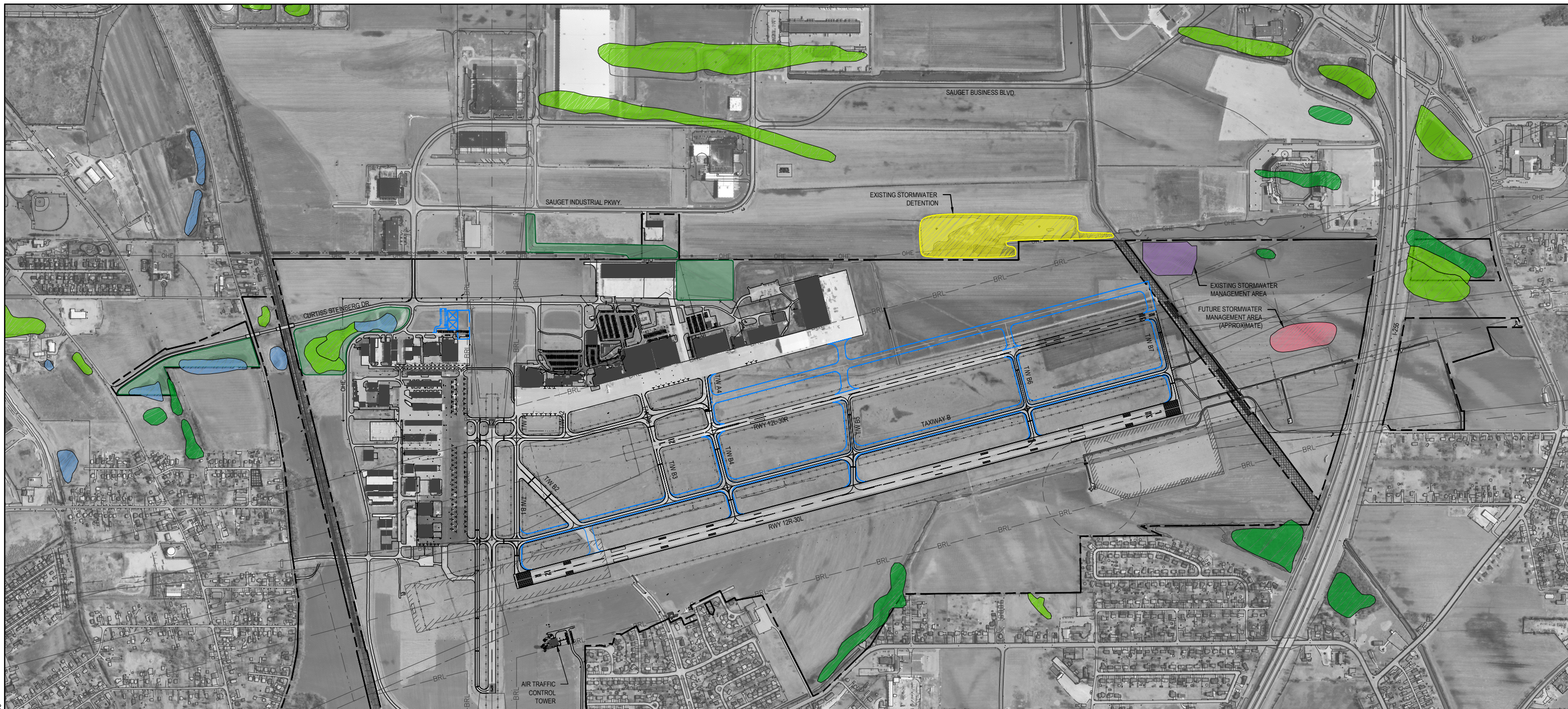


NOV 22, 2011 10:32 AM HARR01115 I:\1010088\1040088\CAD\AIRPORT_SHEET\EXHIBITS\WETLANDMAP.DWG



LEGEND

Wetlands (Source: US Fish and Wildlife Service)

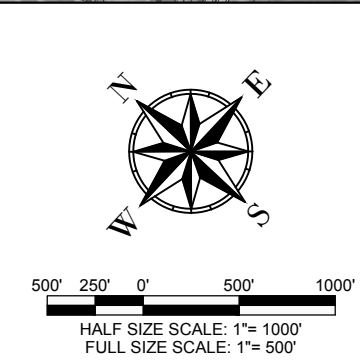
- Freshwater Emergent Wetland
- Freshwater Forested/Shrub Wetland
- Freshwater Pond
- Lake
- Riverine
- Other
- Existing Stormwater Detention
- Existing Stormwater Management Area
- Future Stormwater Management Area (Approximate)
- Other Designated Green Space

DATE	REVISION

**SAINT LOUIS
DOWNTOWN AIRPORT**
A Division of METRO

HANSON PROJECT	10A0088
DATE	11/22/11
SCALE	1"=500'
LAYOUT	
DRAWN	
REVIEWED	

HANSON
Hanson Professional Services Inc.
1525 South Sixth Street
Springfield, Illinois 62703
Offices Nationwide www.hanson-inc.com



EXISTING	LEGEND	FUTURE
	AIRPORT PROPERTY LINE	
	PAVEMENT	
	BUILDINGS	
	AVIGATION EASEMENT	
	AUTOMATED WEATHER OBSERVATION SYSTEM (AWOS)	
	NON-DIRECTIONAL BEACON (NDB)	
	PRECISION APPROACH PATH INDICATOR (PAPI)	
	ROTATING BEACON	
	RUNWAY END IDENTIFIER LIGHTS (REL)	
	SURVEY MONUMENT	
	WIND TEE/WIND CONE	
	AIRPORT REFERENCE POINT (ARP)	
	APPENDIX 2 SURFACE	
	BUILDING RESTRICTION LINE (BRL)	
	FAR PART 77 SURFACE	
	RUNWAY/TAXIWAY OBJECT FREE AREA (ROFATOA)	
	OBSTACLE FREE ZONE (OFZ)	
	RUNWAY PROTECTION ZONE (RPZ)	
	RUNWAY/TAXIWAY SAFETY AREA (RSATSA)	
	RUNWAY VISIBILITY ZONE (RVZ)	
	ITEMS TO BE REMOVED	
	DESIGNATED GREEN SPACE	

DESIGNATED GREEN SPACE AREAS
LAND USE MASTER PLAN
ST. LOUIS DOWNTOWN AIRPORT
CAHOKIA, ST. CLAIR COUNTY, ILLINOIS

**EXHIBIT
3-4**